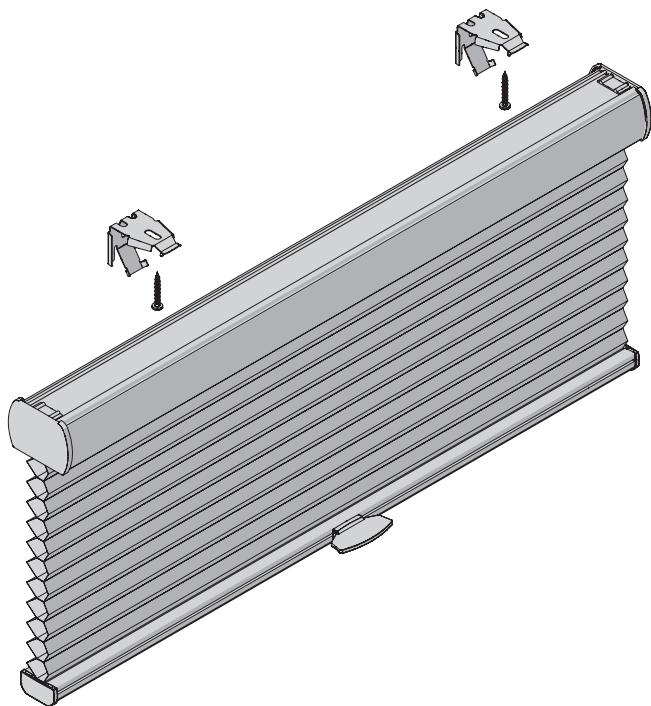




Installation TopFix / RecessFix [R1]

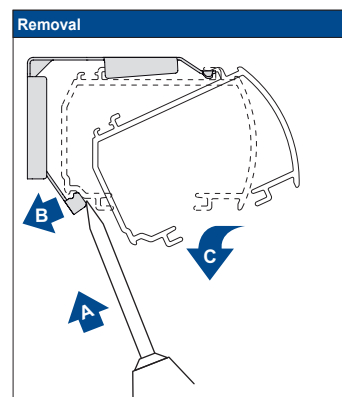
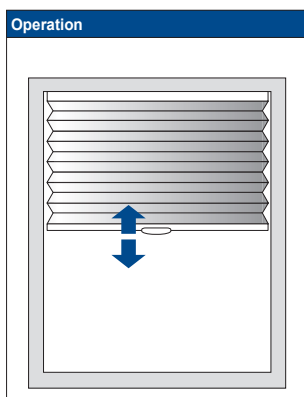
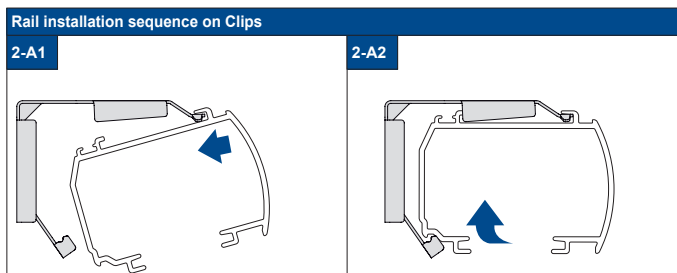
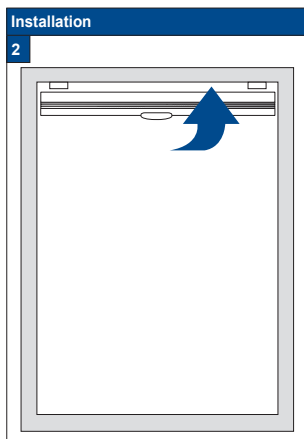
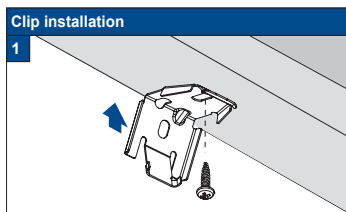
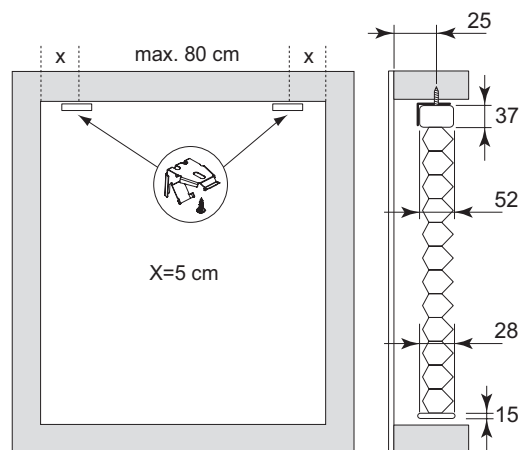
- ! Do not damage the product when using a sharp knife to open the packaging! Fitting screws: Use a size-2 screwdriver (PO-ZIDRIVE) or use an electric screwdriver at it's lowest torque.
- Rail removal: Use a flat screwdriver of max. 6 mm wide. Only

use the original screws enclosed, to prevent malfunctioning from using too thick screw heads!

Model
25/AB10



Product width	Number of parts	
		
30 - 90 cm	2	2
90 - 180 cm	3	3
180 - 240 cm	4	4



FaceFix installation to a window frame / wall [F1]

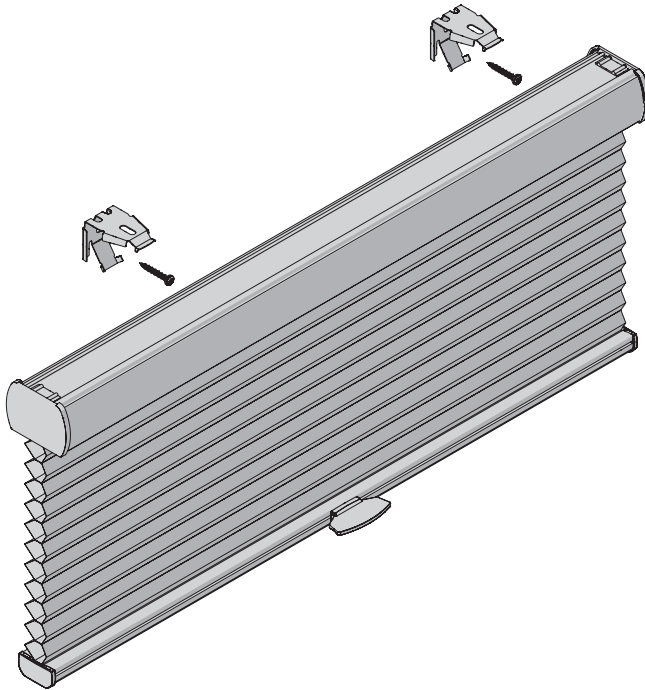
Do not damage the product when using a sharp knife to open the packaging! Fitting screws: Use a size-2 screwdriver (PO-ZIDRIVE) or use an electric screwdriver at it's lowest torque.



Rail removal: Use a flat screwdriver of max. 6 mm wide. Only

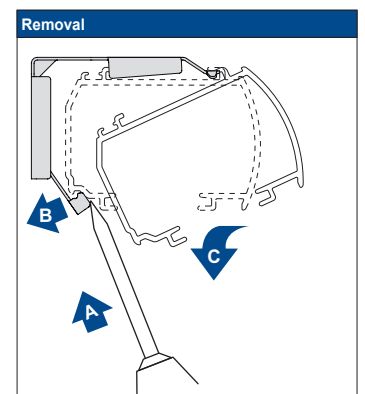
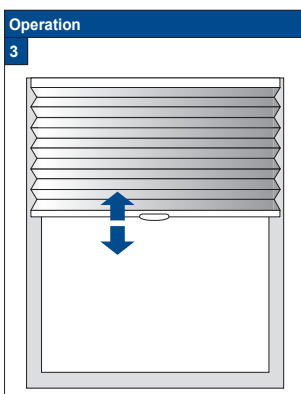
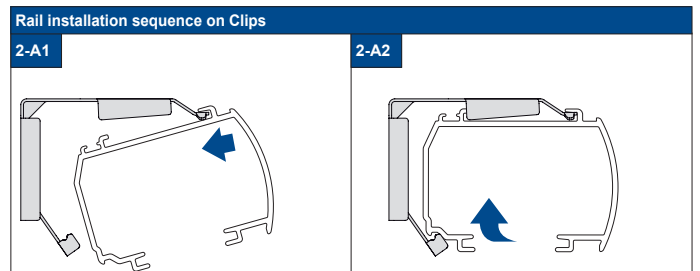
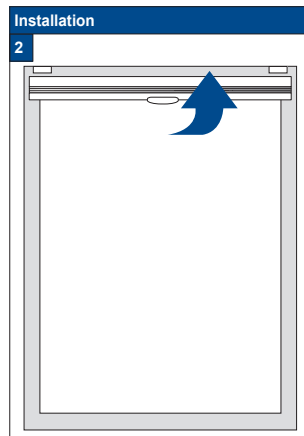
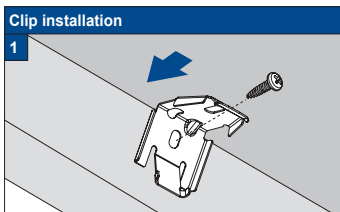
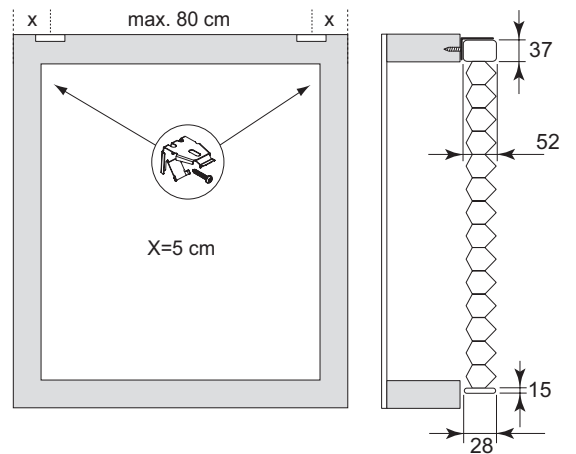
use the original screws enclosed, to prevent malfunctioning from using too thick screw heads!

Model
25/AB10

Installation and User's manual PB - GB



Product width	Number of parts	
		
30 - 90 cm	2	2
90 - 180 cm	3	3
180 - 240 cm	4	4



26-05-2014